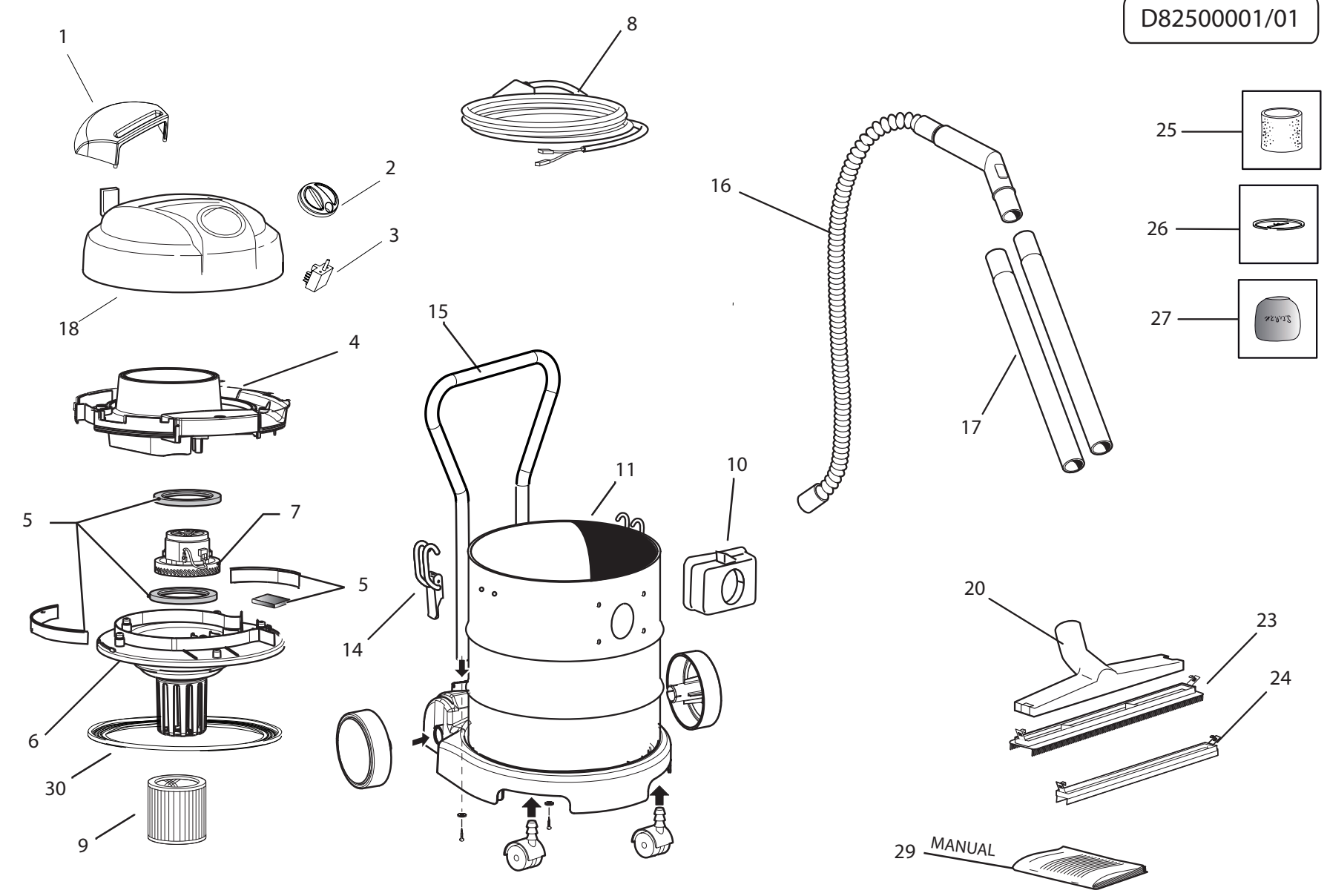


D8250001/01



Pos.	Code	Substituted by	Q.ty	Purchasable	Min. Q.ty	For mainten.	Description
0	R52120150		1	No			CORREDO WINDY 120/150
001	4.208.0680		1	Yes	1		GREY HANDLE VACUUM CLEANER P82.0487
002	4.208.0639		1	Yes	1		RED KNOB FOR SWITCH
003	3.401.0225		1	Yes	1		ROTARY SWITCH TWO GEARS BIPOLAR 16A (0-1) W/PIN 15
004	4.208.0692		1	Yes	1		BLACK CONVEYOR HEAD WINDY 120/130
005	6.205.0192		1	Yes	1	EXT	SPONGE KIT 120/130
006	5.211.0109		1	Yes	1		GREY LOWER CALOTTE
007	3.755.0098		1	Yes	1	EXT	SINGLE STAGE MOTOR BY PASS 220-240V 50/60Hz 1200W W/CABLE L=300mm
008	4.012.0221		1	Yes	1		ELECTRIC CABLE H05VV-F 2X0,75 MT.7,5 SCHUKO PLUG WATERPROOF F/F
009	3.752.0196		1	Yes	1	ORD	WASHABLE CARTRIDGE FILTER
010	3.752.0075		1	Yes	1		COMPLETE HOSE CONNECTION D.40
011	5.209.0216		1	Yes	1		TANK WITH BASE
014	3.099.0454		2	Yes	1	EXT	HOOK 2.05/621 ZNT FOR BODY
015	5.213.0015		1	Yes	1		HANDLE FOR TROLLEY WINDY
016	5.209.0077		1	Yes	1	EXT	FLEX 2,5 D.35 COMPLETE
017	3.753.0009	6.205.0109	2	Yes	1		STEEL PIPE D.35 L=491
018	4.208.0677		1	Yes	1		COVER IF 135 W/ROTARY SWITCH (P82.0487)
020	3.754.0168		1	Yes	1		BODY BRUSH D.35 L=300 (SP.)
023	3.754.0169		1	Yes	1		FLOOR BRUSH
024	3.754.0170		1	Yes	1		WET TOOL 300 mm
026	4.208.0359		1	Yes	1		LOCKING DISC FOR VACUUM FILTER
029	7.300.0541		1	Yes	1		MANUAL WINDY 120/130 IF LAVOR
030	4.215.0012		1	Yes	1		GUARNIZIONE CALOTTA INFERIORE IN PARA 9,1x4 L=935